

MAGNETIC FLUID

- for **Gas & Dust sealing SPECIFICATION**



● For Corrosive gas(Reactive gas) sealing (Base oil : perfluore polyether[PFPE])

Item	Saturation Magnetization	Viscosity	Vapor Pressure	Torr	Torr* L/s Helium gas leak	Max. working temperature	Pour point
Model	Gauss	mPa.sec at 27°C	Pa. at 20°C	mmHg	less than 1E ⁻¹¹	°C	°C
MFF-R68	600	8,500	1X10 ⁻¹⁴	1 X 10 ⁻¹⁶	Ok	120	-30
MFF-R55	500	5,000	1X10 ⁻¹²	7.5 X 10 ⁻¹⁵	Ok	120	-30
MFF-R43	450	2,800	1X10 ⁻¹²	7.5 X 10 ⁻¹⁵	Ok	120	-30
MFF-R42	400	2,000	1X10 ⁻¹²	7.5 X 10 ⁻¹⁵	Ok	120	-30
MFF-KC5	500	<25,000	1X10 ⁻¹⁴	1 X 10 ⁻¹⁶	Ok	190	-20
MFF-03	550	8,500	2X10 ⁻⁹	1.5 X 10 ⁻¹¹	Ok	200	-5
MFF-02	400	5,000	2X10 ⁻⁹	1.5 X 10 ⁻¹¹	Ok	200	-5

● For Non-Corrosive gas(Inert gas)&dust sealing

Item	Saturation Magnetization	Viscosity	Vapor Pressure	Torr	Torr* L/s Helium gas leak	Max. working temperature	Pour point
Model	Gauss	mPa.sec at 27°C	Pa. at 20°C	mmHg at 20°C	less than 1E ⁻¹¹	°C	°C
MFS-630	600	2,200	1 X 10 ⁻⁷	7.5 X 10 ⁻¹⁰	Ok	200	-40
MFS-513	500	900	1 X 10 ⁻⁷	7.5 X 10 ⁻¹⁰	Ok	200	-40
MFS-407	400	500	1 X 10 ⁻⁷	7.5 X 10 ⁻¹⁰	Ok	200	-40
MFH-503	500	210	1 X 10 ⁻⁵	1 X 10 ⁻⁸	Ok	160	-30
MFA-10	850	2,900	4 X 10 ⁻⁸	3 X 10 ⁻¹⁰	Ok	100	-10
MFA-08	780	800	4 X 10 ⁻⁸	3 X 10 ⁻¹⁰	Ok	100	-10
MFA-06	580	400	4 X 10 ⁻⁸	3 X 10 ⁻¹⁰	Ok	100	-10
MFA-04	470	240	4 X 10 ⁻⁸	3 X 10 ⁻¹⁰	Ok	100	-10
MFA-02	400	160	4 X 10 ⁻⁸	3 X 10 ⁻¹⁰	Ok	100	-10

■ Grease type (Not Liquid) For Non-Corrosive gas&dust sealing + lubrication

MFG-50	500		1X10 ⁻¹⁰	7.5 X 10 ⁻¹³	Ok	100	-90
--------	-----	--	---------------------	-------------------------	----	-----	-----

*Temperature is change depends on working temperature, vapor pressure, RPM, shaft diameter.

*Vapor pressure and Torr are the value of Pure base oil used.

*There are other standards we have except above, and we can customizing.

MAGNETIC FLUID

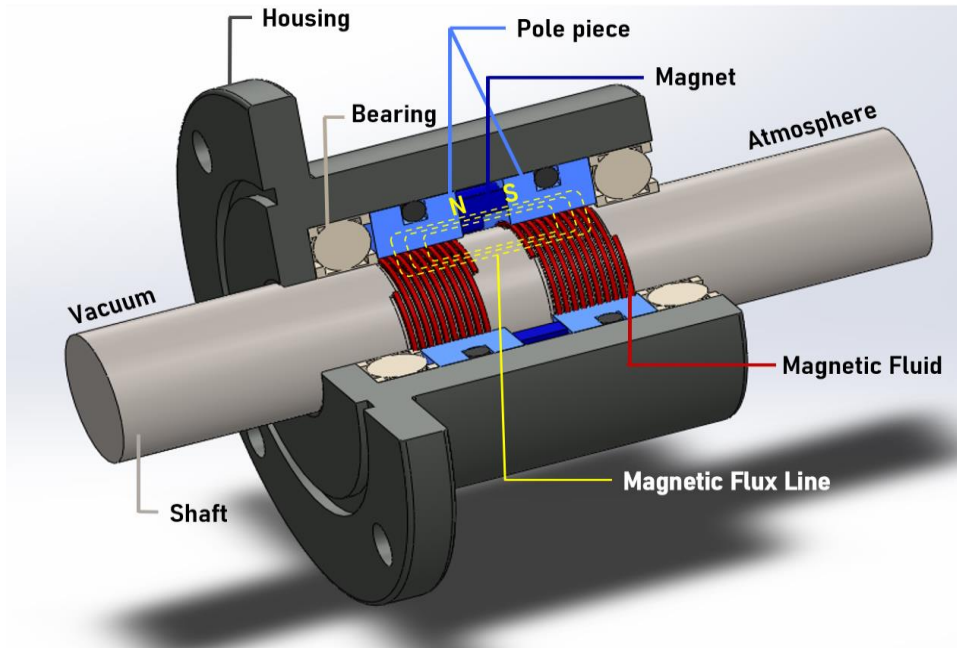
– for Gas & Dust sealing

Ferrofluid seal

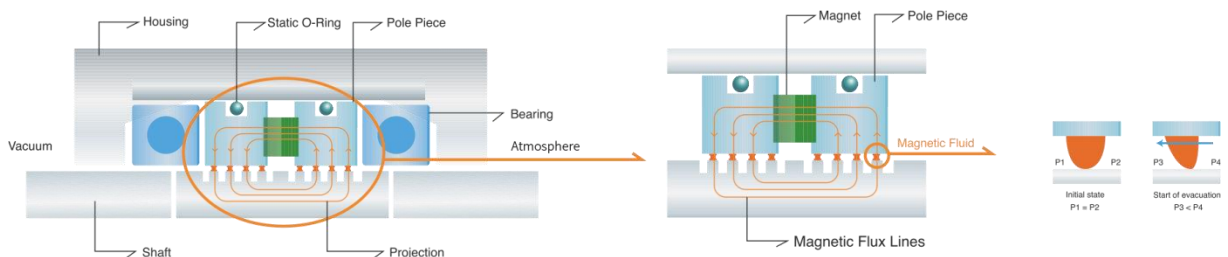
Ferro-fluid seal : It is the no friction Sealing material that magnetic fluid injected into the gap between the magnet and the rotating shaft forms a type of "Liquid O-Ring" by magnetic field formed by the magnet and the pole piece. No friction, enhances facility durability and prevents harmful gas and dust from being subjected to ultra high vacuum conditions.

Used for Ion Implant Systems , CVD, Organic EL, Sputter, Ion implanters, X-ray generators, Wafer transfer robot, LCD conveying agitator, Plasma Etching Systems, Optical accelerator, HID Lamp, Automobile HID Lamp Manufacturing Process, CD RW and so on.
Main customers : Rigaku , Samsung, LG, SKhynix , etc.

Feedthrough Parts diagram



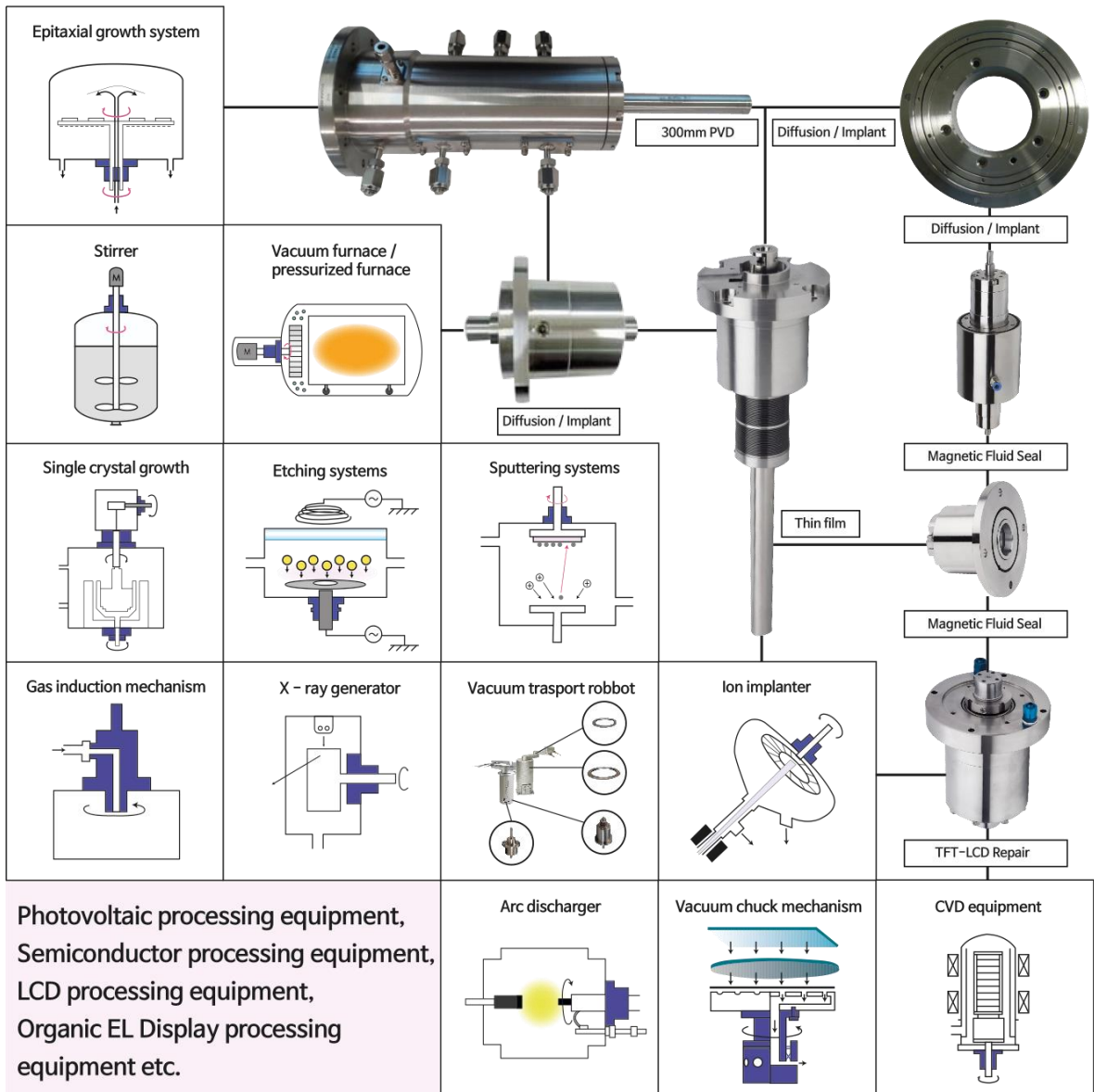
Feedthrough Exploded view and how it works



MAGNETIC FLUID

– for **Gas & Dust sealing**

● Feedthrough and equipment where ferrofluids are used



MAGNETIC FLUID

– for **Gas & Dust sealing**

Address : #403 – 3 dong, Gyeonggi Technopark, 705 Haean-ro, Sangnok-gu, Ansan-Si,
Gyeonggi-do, Republic of South Korea

Post code : 15588

TEL : 82-31-500-4633, 400-3757 (Domestic), 82-30-500-4632 (Export)

FAX : 82-31-500-4631

Mail : magron@magron.co.kr

Web site (Korean) : www.magron.co.kr / (English) : www.ferrozone.co.kr

(For reference, the website of our cluster : <http://www.gtp.or.kr/>)

You can make an order with the specifications you want.

We constantly develop and release new products.

Please contact us.

