

MAGNETIC FLUID

- for **Gas & Dust sealing SPECIFICATION**



● For Corrosive gas(Reactive gas) sealing (Base oil : perfluore polyether[PFPE])

Item	Saturation Magnetization	Viscosity	Vapor Pressure		Torr- L/s Helium gas leak	Weight loss start Temp. (TGA)	Decomposition Temp. (DTA)	Pour point	Density
			Pa at 20°C	Torr mmHg. at 20°C					
Model	Gauss	mPa.sec (cP) at 27°C	Pa at 20°C	Torr mmHg. at 20°C	Less than 1E-11	°C	°C	°C	g/cm³
MFF-R6085	600	8,500	1E-14	1E-16	Ok	120	>400	-30	2.25
MFF-R5050	500	5,000	1E-12	7.5E-15	Ok	120	>400	-30	2.2
MFF-R4528	450	2,800	1E-12	7.5E-15	Ok	120	>400	-30	2.17
MFF-R4020	400	2,000	1E-12	7.5E-15	Ok	120	>400	-30	2.14
MFF-KC5	500	>100,000	1E-14	1E-16	Ok	190	>400	-20	2.20
MFF-M5580	550	8,000	2E-9	1.5E-11	Ok	200	>400	-5	2.27
MFF-M4045	400	4,500	2E-9	1.5E-11	Ok	200	>400	-5	2.17

● For Non-Corrosive gas(Inert gas)&dust sealing

Item	Saturation Magnetization	Viscosity	Vapor Pressure		Torr- L/s Helium gas leak	Weight loss start Temp. (TGA)	Decomposition Temp. (DTA)	Pour point	Density
			Pa at 20°C	Torr mmHg. at 20°C					
Model	Gauss	mPa.sec (cP) at 27°C	Pa at 20°C	Torr mmHg. at 20°C	Less than 1E-11	°C	°C	°C	g/cm³
MFS-7390	730	9,000	1E-9	7.5E-12	Ok	200	390	-40	1.50
MFS-6022 (MFS-630)	600	2,200	1E-7	7.5E-10	Ok	200	390	-40	1.39
MFS-5009 (MFS-513)	500	900	1E-7	7.5E-10	Ok	200	380	-40	1.31
MFS-4005 (MFS-407)	400	500	1E-7	7.5E-10	Ok	200	380	-40	1.21
MFH-4401	440	150	1E-7	7.5E-10	Ok	160	370	-40	1.22
MFH-5002 (MFH-503)	500	210	1E-7	7.5E-10	Ok	160	370	-40	1.30
MFH-6206	620	650	1E-7	7.5E-10	Ok	160	370	-40	1.39
MFH-7730	770	3,000	1E-9	7.5E-12	Ok	160	370	-40	1.52
MFA-8529	850	2,900	4E-8	3E-10	Ok	120	350	-10	1.68
MFA-7808	780	800	4E-8	3E-10	Ok	120	350	-10	1.52

■ Grease type (Not Liquid) For Non-Corrosive gas&dust sealing + lubrication

MFG-50	500		1E-10	7.5E-13	Ok	100	>400	-90	1.4
--------	-----	--	-------	---------	----	-----	------	-----	-----

*Vapor pressure and Torr are the value of Pure base oil used.

*Besides the above products, we can make custom orders

* (MFx-xxx) is old model number.

MAGNETIC FLUID

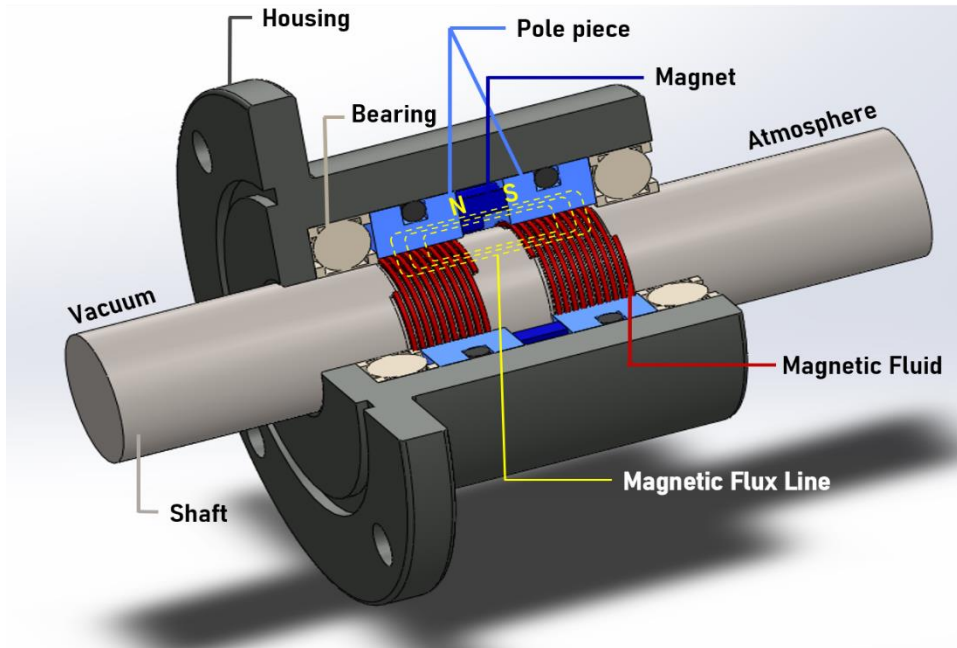
– for Gas & Dust sealing

● Ferrofluid seal

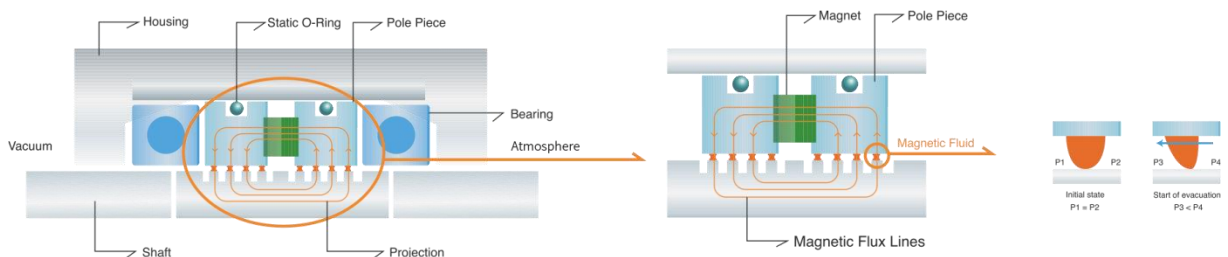
Ferro-fluid seal : It is the no friction Sealing material that magnetic fluid injected into the gap between the magnet and the rotating shaft forms a type of "Liquid O-Ring" by magnetic field formed by the magnet and the pole piece. No friction, enhances facility durability and prevents harmful gas and dust from being subjected to ultra high vacuum conditions.

Used for Ion Implant Systems , CVD, Organic EL, Sputter, Ion implanters, X-ray generators, Wafer transfer robot, LCD conveying agitator, Plasma Etching Systems, Optical accelerator, HID Lamp, Automobile HID Lamp Manufacturing Process, CD RW and so on.
Main customers : Rigaku , Samsung, LG, SKhynix , etc.

● Feedthrough Parts diagram



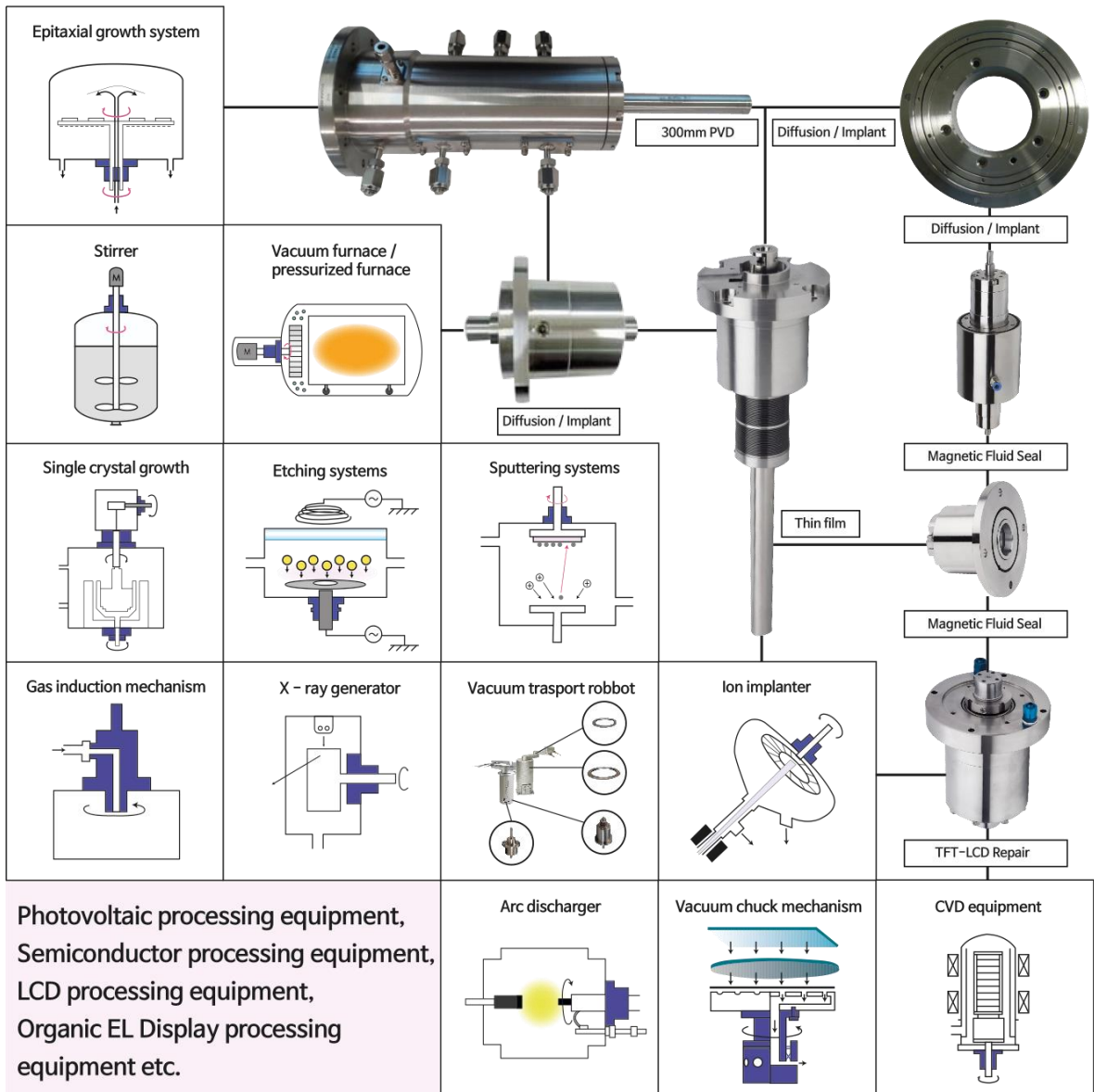
● Feedthrough Exploded view and how it works



MAGNETIC FLUID

– for Gas & Dust sealing

● Feedthrough and equipment where ferrofluids are used



MAGNETIC FLUID

– for **Gas & Dust sealing**

Address : #403 – 3 dong, Gyeonggi Technopark, 705 Haean-ro, Sangnok-gu, Ansan-Si,
Gyeonggi-do, Republic of South Korea
Post code : 15588

TEL : 031-500-4633 / FAX : 031-500-4631

Mail : magron@magron.co.kr

Web site (Korean) : www.magron.co.kr

Web site (English) : www.ferrozone.co.kr

You can make an order with the specifications you want.

We constantly develop and release new products.

Please contact us.

